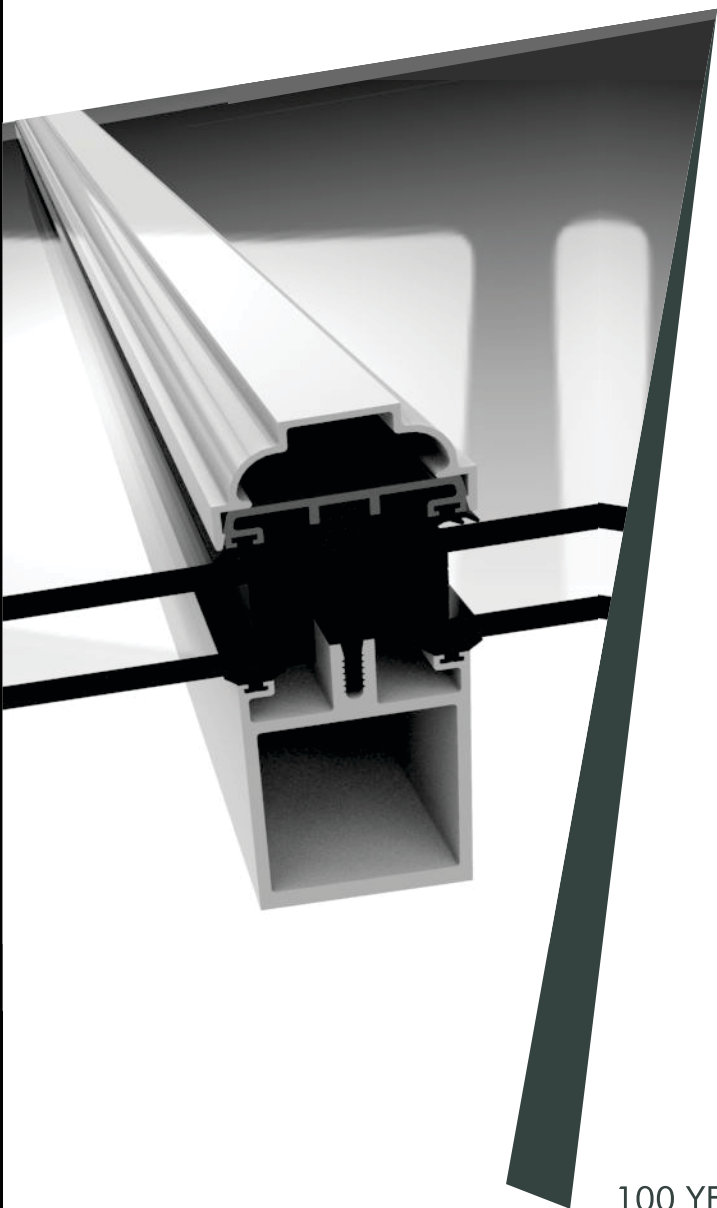
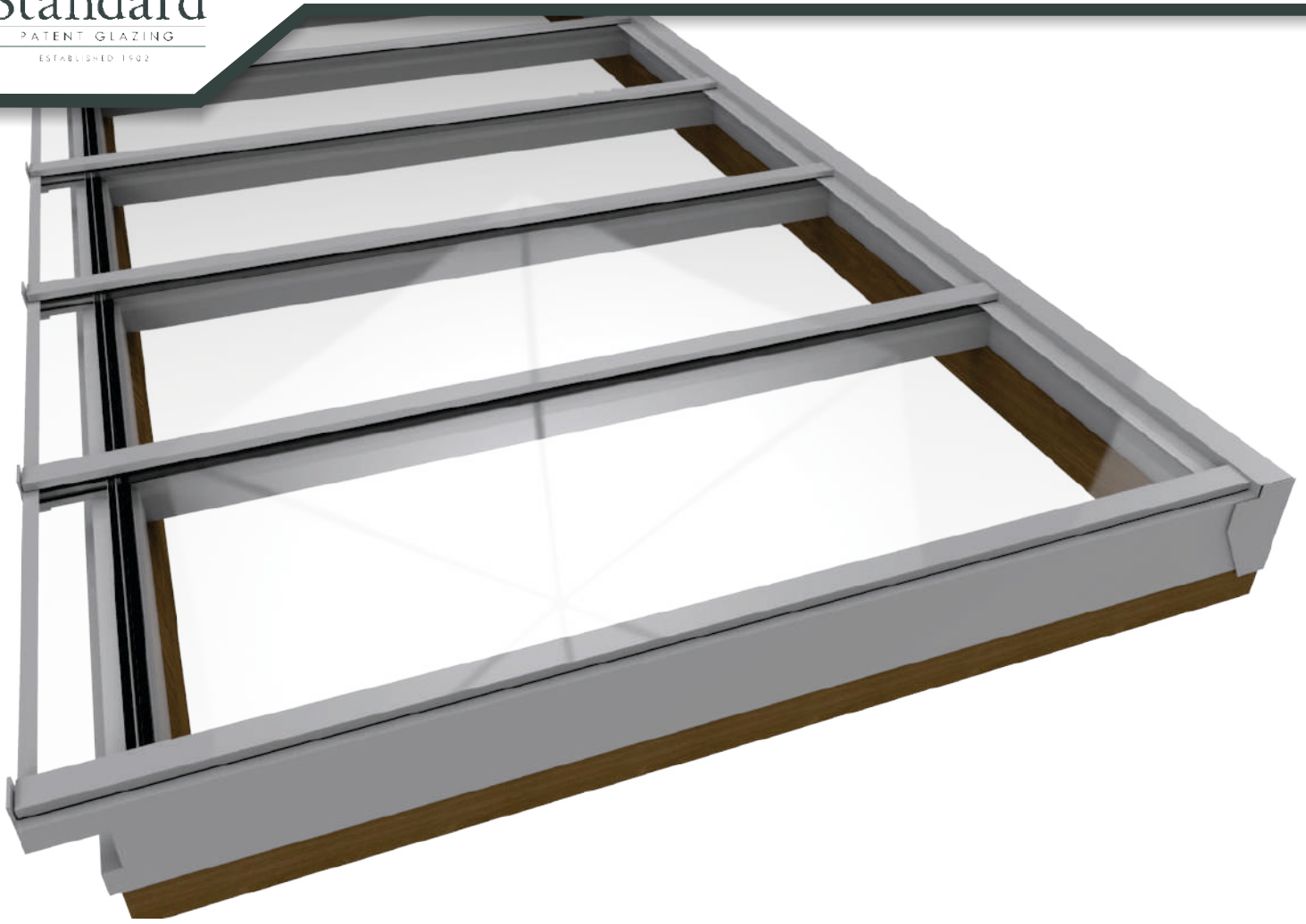


SKYLINEBOX

PATENT GLAZING SYSTEM



100 YEARS OF SERVICE



SKYLINEBOX

Our Skyline Box type glazing bar range has been developed to give specifiers an alternative to traditional internal and external stalked glazing bars. The low profile external aluminium capping offers a smart appearance to the external facade of the patent glazing system and the visual appearance is similar to curtain walling.

Our Skyline Box range of extruded aluminium glazing bars offer an economical roof glazing solution when compared with curtain walling roofing systems whilst main-

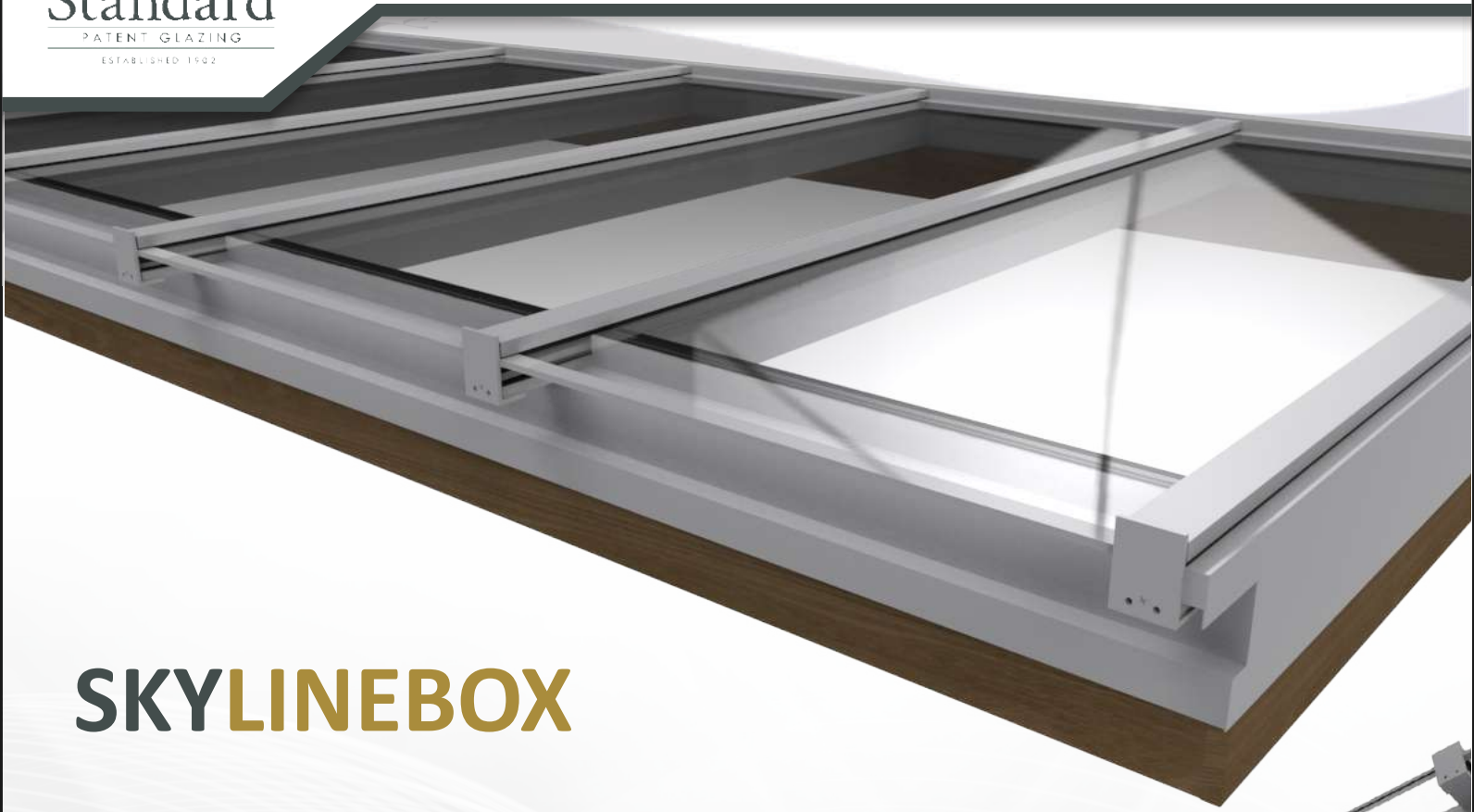
taining a very similar appearance. The glazing bar's strength is provided by an internal box section.

The glazing bar is weathered by a screw on pressure cap (PC1) with a choice of plain (PC2) or ornate (PC3) cosmetic outer snap-on cappings to conceal all fixing screws.

This system is able to accommodate double and triple glazed applications where compliance with Building Regulations Document L are a requirement

but is also popular for single glazed applications such as feature canopies and unheated spaces.

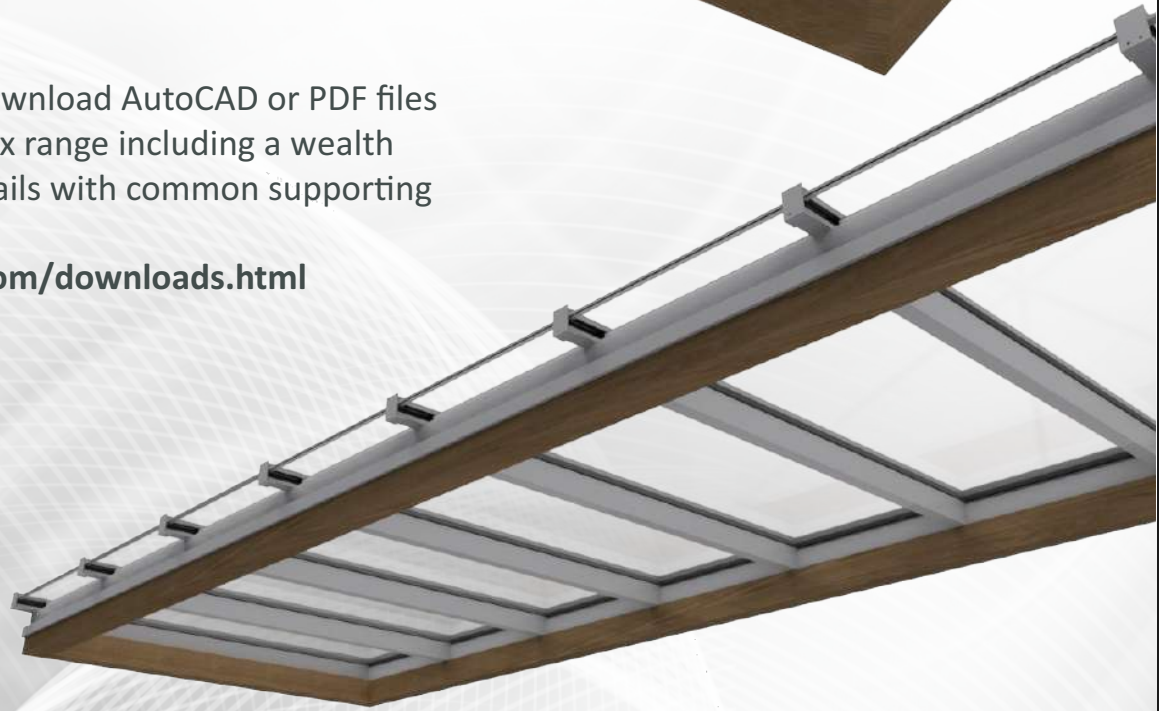
Available in four sizes depending on the design span with box section depths of 50mm, 75mm, 100mm and 150mm. This glazing system is capable of spanning up to 7 metres unsupported with double glazed infills weighing 30kg/m².



SKYLINEBOX

Visit our web site to download AutoCAD or PDF files for all of the Skyline Box range including a wealth of typical interface details with common supporting structure designs.

www.patent-glazing.com/downloads.html



Performance Data for Skyline Box Patent Glazing Bars

Bar Section	Box Depth mm	Ix-xcm ⁴	Sn cm ³ Plastic Modulus	Roof Span (mm) *		
				Double Glazing	Single Glazing	Canopy Glazing
SPG5	50	458,350	17,495	1450-3440mm	2440-4000mm	2650-3830mm
SPG7	75	1,043,625	28,284	2200-4230mm	3310-5000mm	3460-4700mm
SPG10	100	1,861,293	39,405	2930-4880mm	3840-5750mm	4000-5430mm
SPG15	150	4,732,206	74,053	3920-7000mm	4860-7500mm	5050-6830mm



SKYLINEBOX

Skyline Box SPG5 type thermally broken extruded aluminium Glazing Bar with screw-on PC1 capping and snap-on cosmetic square topped PC2 capping section - double glazed with 28mm thick double glazed units

Skyline Box SPG5 type thermally broken extruded aluminium Glazing Bar with screw-on PC1 capping and snap-on cosmetic square topped PC2 capping section - double glazed with 28mm thick double glazed units

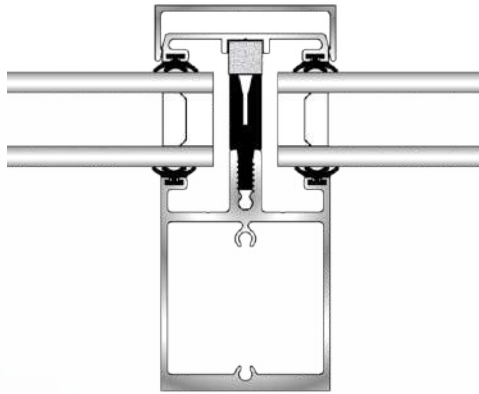


SKYLINEBOX

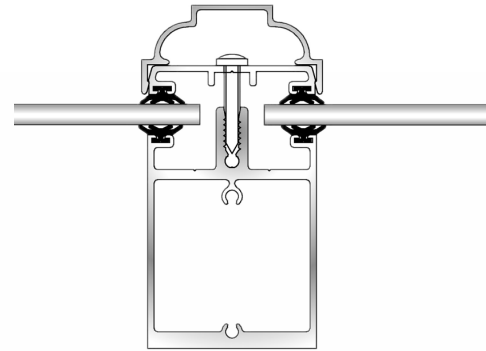
Skyline Box SPG5 type thermally broken extruded aluminium Glazing Bar with screw-on PC1 capping and snap-on cosmetic square topped PC2 capping section - double glazed with 28mm thick double glazed units

Skyline Box SPG5 type thermally broken extruded aluminium Glazing Bar with screw-on PC1 capping and snap-on cosmetic square topped PC2 capping section - double glazed with 28mm thick double glazed units

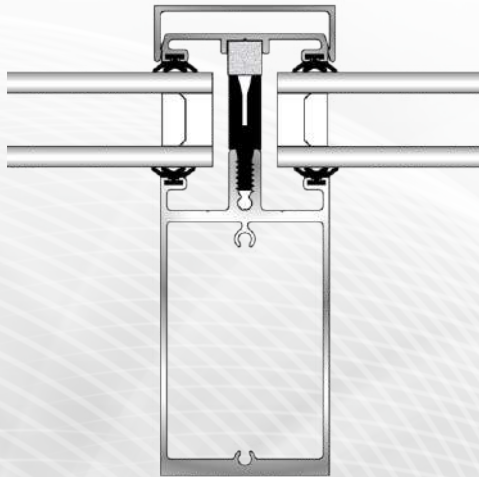
SKYLINEBOX



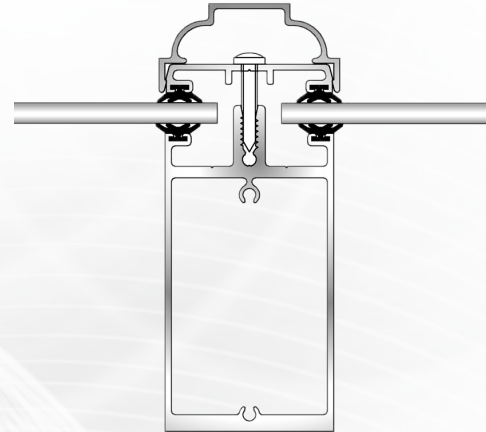
Skyline Box SPG5 glazing bar with square capping - double glazed



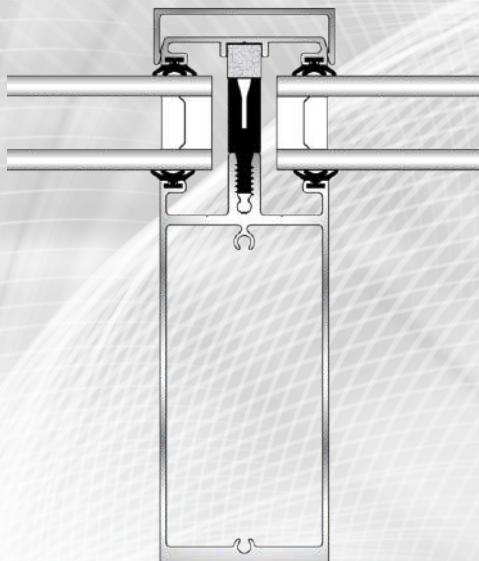
Skyline Box SPG5 glazing bar with ornate capping - single glazed



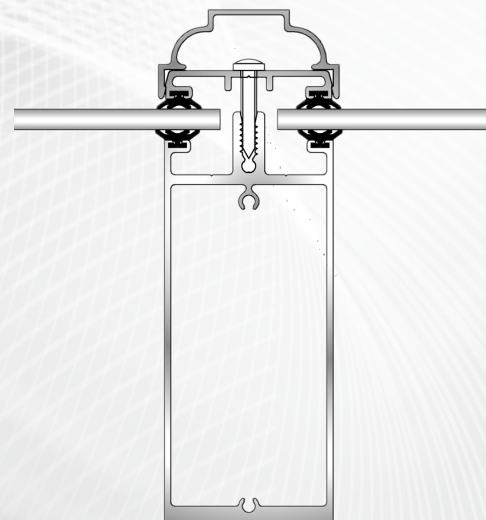
Skyline Box SPG7 glazing bar with square capping - double glazed



Skyline Box SPG7 glazing bar with ornate capping - single glazed



Skyline Box SPG10 glazing bar with square capping - double glazed



Skyline Box SPG10 glazing bar with ornate capping - single glazed

Buckingham Palace, London SW1



Contractor: Wates Ltd

Next Store, Colne



Contractor: Barnfield Construction Ltd

Power Road Studios, Chiswick



Contractor: Faithdean PLC

RAF Valley, Anglesey



Contractor: DORTECH Ltd

Cromlix Hotel, Kinbuck, Dunblane



Contractor: Ogilvie Construction Ltd

Durham HMP



Contractor: M.J. Gleeson Group PLC

Domestic Dwelling



Contractor: LBJ Atkinson & Sons Ltd

Somerfield Store, Southport



Contractor: Felton Construction

Silcotes School, Wakefield



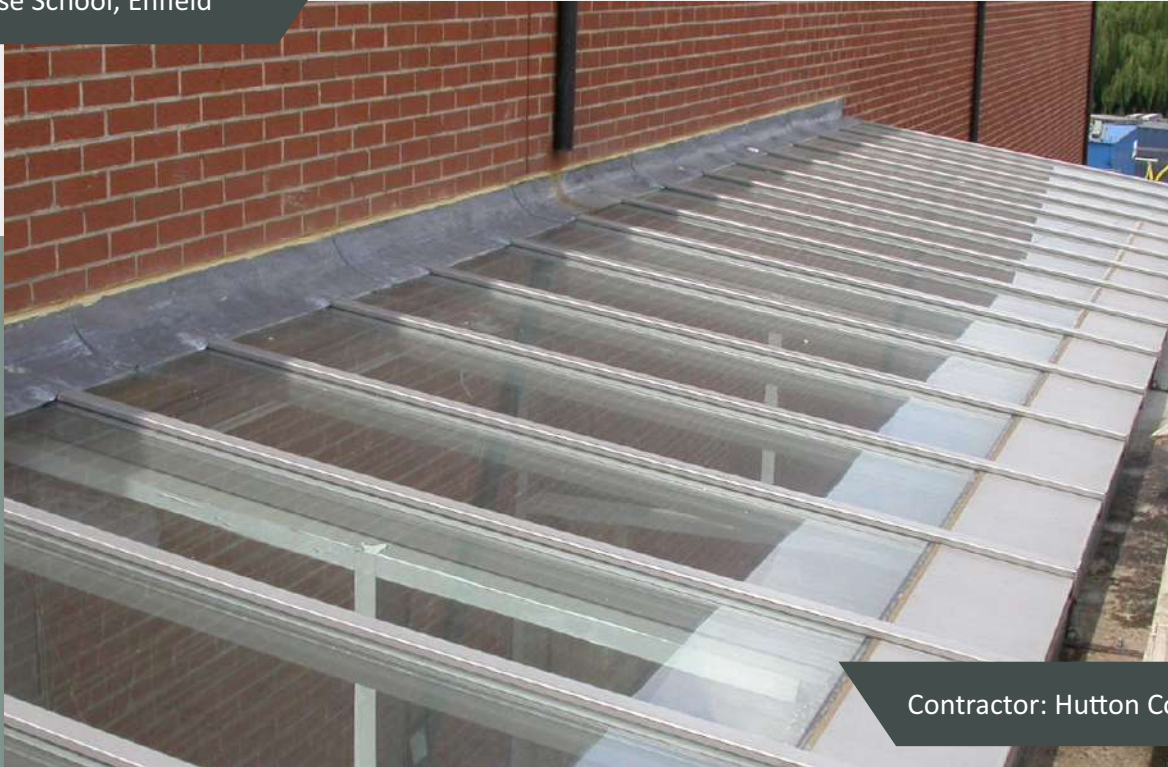
Contractor: Quarmby Construction Ltd

Epsom Town Hall



Contractor: W.C. Evans & Sons Ltd

Russet House School, Enfield



Contractor: Hutton Construction Ltd

Domestic Dwelling



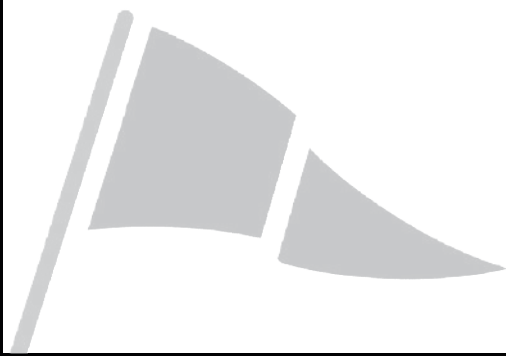
Contractor: Pinington Construction



The Standard Patent Glazing Co Ltd
Flagship House
Forge Lane
DEWSBURY
West Yorkshire
WF12 9EL

Tel 01924 461213

mail: info@patent-glazing.com
web: www.patent-glazing.com



100 YEARS OF SERVICE